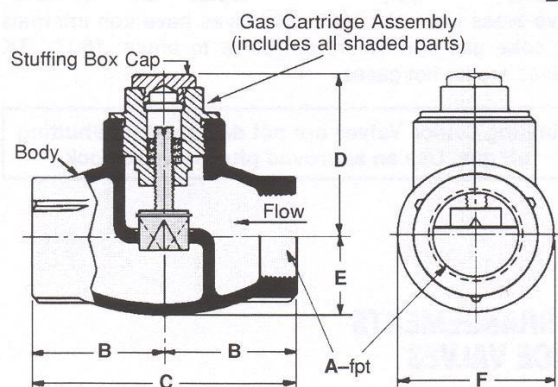


CAPACITIES: scfh Natural Gas (0.6 s.g.)

Capacity, scfh	Valve designation and pipe size									Specific Gravity	Capacity Factor
	187-01 1/2"	187-0 3/4"	187-1 1"	187-2 1 1/4"	187-3 1 1/2"	187-4 2"	187-5 2 1/2"	187-6 3"			
Pressure drop, psi											
0.1	86	121	222	327	414	990	1 491	2 600	0.4	1.22	
0.2	122	172	315	470	584	1400	2 110	3 675	0.6	1.00	
0.3	149	210	386	564	715	1720	2 580	4 500	0.8	0.866	
0.4	172	243	446	650	830	1980	2 982	5 200	1.5	0.632	
0.5	192	272	500	730	925	2230	3 340	5 820	2.0	0.547	
1.0	272	385	705	1030	1310	3150	4 720	8 220			
2.0	384	542	990	1460	1850	4450	6 660	11 590			
3.0	470	665	1210	1780	2270	5440	8 200	14 220			
4.0	544	770	1410	2060	2620	6300	9 440	16 440			
5.0	610	860	1580	2320	2930	7040	10 560	18 400			
6.0	666	940	1720	2550	3210	7700	11 570	20 150			

Maximum Pressure: 25 psig

DIMENSIONS
inches



Valve designation	dimensions in inches						Wt, lb
	A	B	C	D	E	F	
187-01	1/2	1 11/16	3 3/8	2 11/32	7/8	1 3/4	1 1/2
187-0	3/4	1 11/16	3 3/8	2 11/32	1	2	1 3/4
187-1	1	2 1/8	4 1/4	2 21/32	1 5/32	2 5/16	2 3/4
187-2	1 1/4	2 7/16	4 7/8	2 7/8	1 7/16	2 7/8	4 1/4
187-3	1 1/2	2 5/8	5 1/4	3 3/16	1 5/8	3 1/4	5 1/2
187-4	2	2 15/16	5 7/8	3 11/16	1 7/8	3 3/4	7 1/2
187-5	2 1/2	3 7/8	7 3/4	4 7/32	2 7/16	4 7/8	12 1/2
187-6	3	4 7/8	9 3/4	5 9/16	2 15/16	5 7/8	20

DIMENSIONS SHOWN ARE SUBJECT TO CHANGE. PLEASE OBTAIN CERTIFIED PRINTS FROM **CONTITHERM** IF SPACE LIMITATIONS OR OTHER CONSIDERATIONS MAKE EXACT DIMENSION(S) CRITICAL.

187 and 187 -K (All Iron Valve) PARTS LIST

Part Name	Valve designation							
	187-01	187-0	187-1	187-2	187-3	187-4	187-5	187-6
Body	2-3618-3	2-1676-3	2-1702-3	2-1677-3	2-1680-3	2-1682-3	2-3465-3	2-3468-3
Gas Cartridge Assem. ① 187	4-6063-01 4-6064-01K	4-6063-0 4-6064-0K	4-6063-1 4-6064-1K	4-6063-2 4-6064-2K	4-6063-3 4-6064-3K	4-6063-4 4-6064-4K	4-6063-5 4-6064-5K	4-6063-6 4-6064-6K
Stuffing Box Cap ② 187	4-6085-1 4-6085-2	4-6086-1 4-6086-2	4-6086-1 4-6086-2	4-6086-1 4-6086-2	4-6086-1 4-6086-2	4-6087-1 4-6087-2	4-6087-1 4-6087-2	4-6087-1 4-6087-2

① Recommended spare part.

② Included in Gas Cartridge Assembly, or can be ordered separately.

TO ORDER COMPLETE VALVE, SPECIFY Valve designation

Example: 187-3 Valve

TO ORDER PARTS, SPECIFY: Part number, part name, and valve designation

Example: 4-6063-2 Gas Cartridge Assembly for 187-2

WARNING: Situations dangerous to personnel and property can develop from incorrect operation of combustion equipment. North American urges compliance with National Safety Standards and Insurance Underwriters recommendations, and care in operation.



Plot No.150, 'S' Block, M.I.D.C., Bhosari, Pune - 411 026.
 Telephone: (+91)-(20)-27129290 Mobile: (+91)- 7410077911, 9890007000
 Email: rayenterprises@hotmail.com / Website: www.rayenterprisespune.com